

FI SG E MP 0135 M90 11/4

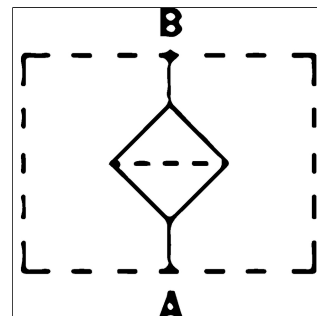
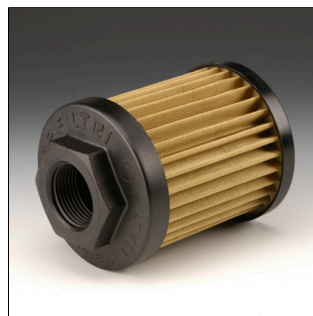
Filterelement DRG 90my 135x99x1.1/4"BSP

HANSA FLEX

Last updated: 22/08/2024

Properties

Design	without bypass valve
Filter material	wire mesh
Temp. max.	110 °C
Temp. min.	-25 °C
Working pressure	12 bar
Customs tariff number	84212920



The product image may differ

Product details

Filter rating (μm)	90	Flow rate max. (l/min)	170
G1	G 1.1/4" -11	L (mm)	137
\varnothing B (mm)	99	SW (mm)	69

Qmax - max. intake volumetric flow

Description

These filters protect hydraulic pumps from coarse dirt from the tank. They are flush-mounted in the tank.

Ordering information

Available on request: other filter mesh sizes, other threads, filter with bypass or magnet