

# OLYMPIAN™

Exclusively from your Caterpillar® dealer



Enclosure pictured may include optional accessories

## SOUND ATTENUATED ENCLOSURES

220-275 kVA, 50 Hz

220-250 kVA, 60 Hz

The CAE enclosure (available on 220 – 275 kVA products) is designed for operation in regions where compliance with EU noise legislation does not apply.

Alternatively, the CAEU enclosure (available on 220 – 275 kVA products only) reduces sound levels to comply with the stage 2 levels of the European Community Directive 2000/14/EC which became effective 3 January 2006.

Fully weatherproof, both enclosures incorporate internally mounted exhaust silencers and an extremely rugged construction means both will withstand the rough handling common on many construction sites. They are designed on modular principles with many interchangeable components permitting on-site repair.

### FEATURES

#### ROBUST/HIGHLY CORROSION RESISTANT CONSTRUCTION

- Stainless steel locks and hinges
- Zinc plated or stainless steel fasteners
- Body made from steel components treated with polyester powder coating

#### EXCELLENT ACCESS FOR MAINTENANCE

- Two large doors on each side
- Radiator fill access plate
- Lube oil and cooling water drains piped to exterior of the enclosure

#### SECURITY AND SAFETY

- Control panel viewing window in a lockable access door
- Emergency stop button mounted on enclosure exterior
- Cooling fan and battery charging alternator fully guarded
- Fuel fill and battery can only be reached via lockable access doors
- Exhaust silencing system totally enclosed for operator safety

#### TRANSPORTABILITY

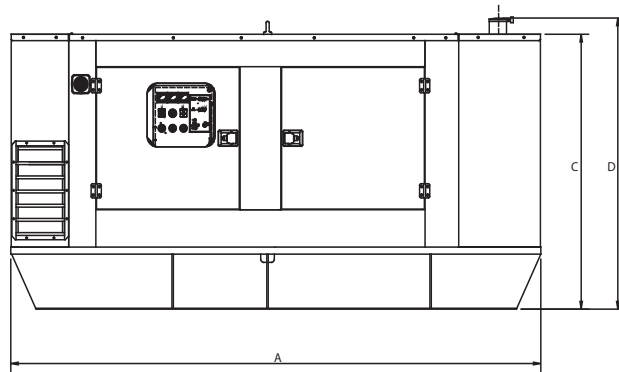
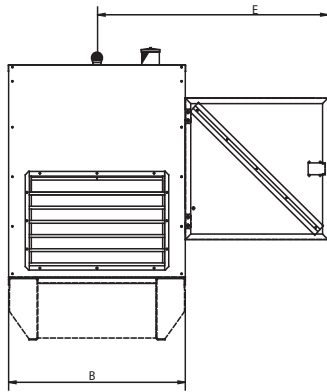
- Tested and certified single point lifting facility
- Lifting points on baseframe

#### OPTIONAL FEATURE

- Oil field type skid with dragging points and fork lift truck pockets

### SOUND PRESSURE LEVELS (dBA) FOR 220-275 KVA CAE ENCLOSURE

Generating Set Model	Duty	50 Hz at 1500 rpm						60 Hz at 1800 rpm					
		15 m		7 m		1 m		15 m		7 m		1 m	
		75% Load	100% Load	75% Load	100% Load	75% Load	100% Load	75% Load	100% Load	75% Load	100% Load	75% Load	100% Load
GEH220-2	Prime	64.6	64.9	70.6	70.9	82.6	82.7	66.9	67.5	72.9	73.5	86.4	86.7
	Standby	64.7	65.1	70.7	71.1	82.7	82.8	67.1	67.9	73.1	73.9	86.5	86.9
GEH250-2	Prime	64.8	65.1	70.8	71.1	82.7	82.8	-	-	-	-	-	-
	Standby	64.9	65.2	70.9	71.2	82.7	82.8	-	-	-	-	-	-
GEH275-2	Prime	64.9	65.2	70.9	71.2	82.7	82.8	-	-	-	-	-	-
	Standby	65.0	65.4	71.0	71.4	82.7	82.9	-	-	-	-	-	-



### DIMENSIONS AND WEIGHTS FOR 220-275 KVA CAE ENCLOSURE

Generating Set Model	A: mm (in)	B: mm (in)	C: mm (in)	D: mm (in)	*E: mm (in)	Fuel Capacity: l (US gal)	Weight: kgs (lb)
GEH220-2	3894 (153.3)	1300 (51.2)	1875 (73.8)	1996 (78.6)	1700 (66.9)	550 (145)	2944 (6490)
GEH250-2	3894 (153.3)	1300 (51.2)	1875 (73.8)	1996 (78.6)	1700 (66.9)	550 (145)	3029 (6678)
GEH275-2	3894 (153.3)	1300 (51.2)	1875 (73.8)	1996 (78.6)	1700 (66.9)	550 (145)	3094 (6821)

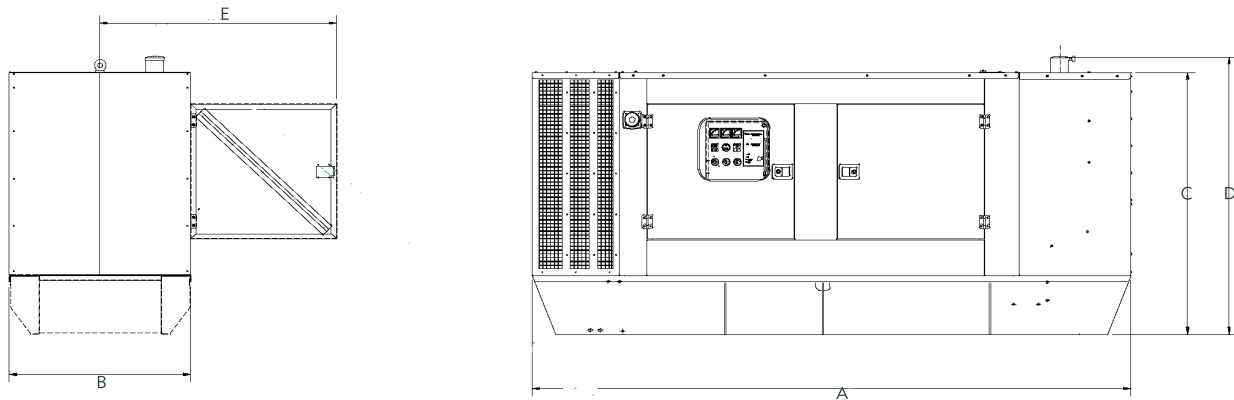
\*Clearance required both sides  
Weight with lube oil, no coolant, no fuel.

Exclusively from your Caterpillar® dealer

## SOUND PRESSURE LEVELS (dBA) FOR 220-275 KVA CAEU ENCLOSURE

Generating Set Model	Duty	50 Hz						60 Hz					
		15 m		7 m		1 m		15 m		7 m		1 m	
		75% Load	100% Load	75% Load	100% Load	75% Load	100% Load	75% Load	100% Load	75% Load	100% Load	75% Load	100% Load
GEH220-2	Prime	63.4	64.0	69.4	70.0	79.2	79.9	66.9	67.2	72.9	73.2	85.4	85.7
	Standby	63.6	64.2	69.6	70.2	79.3	80.4	67.0	67.4	73.0	73.4	85.4	85.8
GEH250-2	Prime	63.7	64.3	69.7	70.3	79.4	80.7	-	-	-	-	-	-
	Standby	63.8	64.5	69.8	70.5	79.7	81.3	-	-	-	-	-	-
GEH275-2	Prime	63.8	64.5	69.8	70.5	79.7	81.3	-	-	-	-	-	-
	Standby	64.0	64.7	70.0	70.7	80.1	82.3	-	-	-	-	-	-

Levels in accordance with European Noise Directive (2000/14/EC)



## DIMENSIONS AND WEIGHTS FOR 220-275 KVA CAEU ENCLOSURE

Generating Set Model	A: mm (in)	B: mm (in)	C: mm (in)	D: mm (in)	*E: mm (in)	Fuel Capacity: l (US gal)	Weight: kgs (lb)
GEH220-2	4294 (169.1)	1300 (51.2)	1875 (73.8)	1996 (78.6)	1700 (66.9)	550 (145)	3035 (6691)
GEH250-2	4294 (169.1)	1300 (51.2)	1875 (73.8)	1996 (78.6)	1700 (66.9)	550 (145)	3120 (6878)
GEH275-2	4294 (169.1)	1300 (51.2)	1875 (73.8)	1996 (78.6)	1700 (66.9)	550 (145)	3185 (7022)

\*Clearance required both sides  
Weight with lube oil, no coolant, no fuel.