

OLYMPIAN™

Exclusively from your Caterpillar® dealer



Enclosure pictured may include optional accessories.

SOUND ATTENUATED ENCLOSURES

400 - 450 kVA, 50 Hz

The Olympian sound attenuated enclosures for the range of Perkins powered GEP400-3 to GEP450-4 generating sets are a result of continuing research and development by our specialist acoustic engineers. These enclosures reduce sound levels to comply with the stage 2 levels of the European Community Directive 2000/14/EC which became effective 3 January 2006.

The fully weatherproof enclosures incorporate internally mounted exhaust silencers and are of extremely rugged construction in order to withstand the rough handling common on many construction sites. They are designed on modular principles with many interchangeable components permitting on-site repair.

FEATURES

ROBUST/HIGHLY CORROSION RESISTANT CONSTRUCTION

- Black finish stainless steel locks and hinges
- Zinc plated or stainless steel fasteners
- Body made from steel components treated with polyester powder coating

EXCELLENT ACCESS FOR MAINTENANCE

- Two large doors on each side
- Radiator fill access plate
- Lube oil and cooling water drains piped to exterior of the enclosure

SECURITY AND SAFETY

- Control panel viewing window in a lockable access door
- Emergency stop push button (red) mounted on enclosure exterior
- Cooling fan and battery charging alternator fully guarded
- Fuel fill and battery can only be reached via lockable access doors
- Exhaust silencing system totally enclosed for operator safety

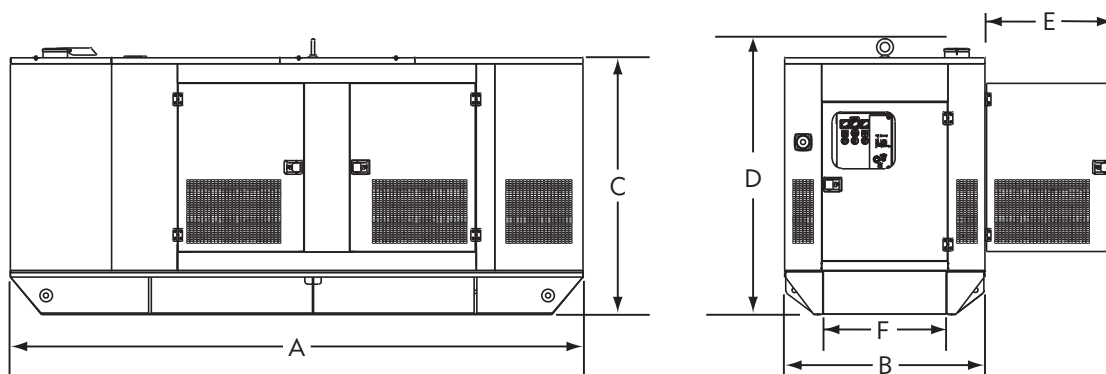
TRANSPORTABILITY

- Tested and certified single point lifting facility
- Lifting points on baseframe

SOUND PRESSURE LEVELS (dBA)

Generator Set Model	Duty	LWA	50 Hz					
			15 m		7 m		1 m	
			75% Load	100% Load	75% Load	100% Load	75% Load	100% Load
GEP400-3	Prime	97	61.9	62.8	67.9	68.8	78.2	79.2
	Standby	97	62.3	63.2	68.3	69.2	78.6	79.8
GEP400-4	Prime	97	61.7	62.4	67.7	68.4	78.5	79.4
	Standby	97	62.0	62.7	68.0	68.7	78.9	79.9
GEP450-3	Prime	97	62.3	63.2	68.3	69.2	78.6	79.8
	Standby	97	62.7	63.5	68.7	69.5	79.1	80.3
GEP450-4	Prime	97	62.0	62.7	68.0	68.7	78.9	79.9
	Standby	97	62.3	62.8	68.3	68.8	79.3	80.4

Levels in accordance with European Noise Directive (2000/14/EC)



DIMENSIONS AND WEIGHTS

Generator Set Model	A: mm (in)	B: mm (in)	C: mm (in)	D: mm (in)	E:* mm (in)	F: mm (in)	Fuel Capacity: l (US gal)	Weight: kg (lb)
GEP400-3	4760 (179.7)	1620 (63.0)	2135 (80.7)	2231 (87.8)	1007 (39.8)	1107 (43.6)	877 (232)	4435 (9777)
GEP400-4	4760 (179.7)	1620 (63.0)	2135 (80.7)	2231 (87.8)	1007 (39.8)	1107 (43.6)	877 (232)	4435 (9777)
GEP450-3	4760 (179.7)	1620 (63.0)	2135 (80.7)	2231 (87.8)	1007 (39.8)	1107 (43.6)	877 (232)	4580 (10097)
GEP450-4	4760 (179.7)	1620 (63.0)	2135 (80.7)	2231 (87.8)	1007 (39.8)	1107 (43.6)	877 (232)	4580 (10097)

Weight includes lube oil, no fuel. *Clearance required both sides.